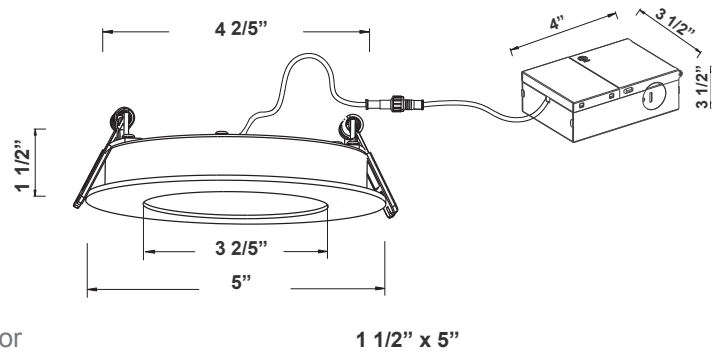


RSL SERIES RESIDENTIAL LIGHTING

RSL4-MCT5-FR
FIRE-RATED (2 HR) SLIM WAFER RECESSED LIGHT
MCT5 Multi Color Temperature (Selectable)

Customer Name: _____
Project Name: _____
Note: _____ | Type: _____



LED DOWNLIGHTS (SMOOTH TRIM) - 4" ROUND Ideal for New As Well As Old Residential And Commercial Constructions.

Features

- 4" Smooth Recessed Trim
- Multi CCT (Selectable Switch on the Back of the driver)
- Isolated Driver for Improved Thermal Management
- 5-Year Warranty
- Spun Aluminum with White Powder Coat Finish

Technical Specifications

Electrical:

- Voltage: 120V AC
- Output Voltage: 36VDC
- Power Factor: >0.90
- Wattage: 9W
- Efficacy: 70 LPW
- Total Harmonic Distortion: $\leq 15\%$

Mechanical:

- 1/4" Thick
- Up to 9 AWG18 Wires
- Die-cast Aluminum with white powder coat finish
- Pot Light Housing is Not Required Even for Insulated Ceiling
- Junction box 1" Thick Included with Fixture
- Typel Crated: Approved for direct contact with insulation
- Maximum Ambient Temperature: -40°F to 104°F
- Damp Location

Lighting:

- Dimming: Dimmable Down to 10% Using a Standard TRIAC LED Dimmer
- Total Lumens: 630LM
- Color Temperatures: 2700K/3000K/3500K/4000K/5000K
- Multi CCT (Selectable Switch on the Back of the Driver)
- Lens: 0.125" White Translucent Acrylic
- Can Rotate after Installation to Align
- LED: Seoul DOB (Driver On Board) Technology
- Optics: White Translucent Acrylic
- Color Rendering Index: CRI ≥ 80
- Beam Angle: 100°-110°
- Rated life: 50,000 hrs

Applications:

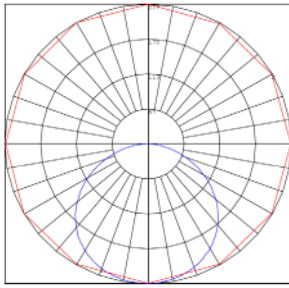
- LED recessed trims have been designed to be a flexible lighting solution for new construction applications, Ideal for closets, storage areas, attics, corridors, or general lighting solutions for residential and commercial applications

Other Models:

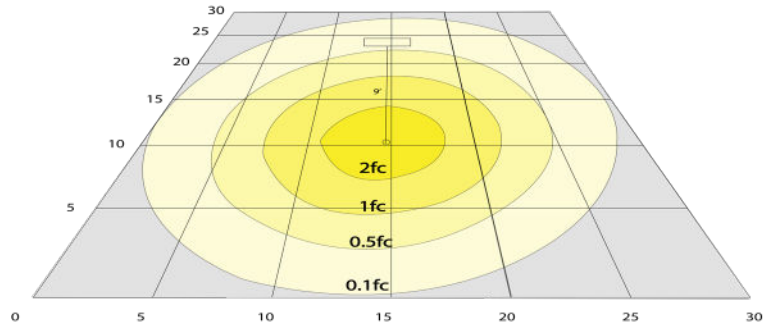
- 9W | 630LM | SSL4-MCT5-FR



Photometrics: RSL4-MCT5-FR



BUG Rating: B2-U1-G0

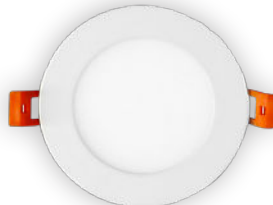


9W 5000K, Area 30'x 30' Mounting Height: 9'

Other Views:



Side View



Front View



Junction box 1-1/4" thick included with fixtures

Back View

Performance Table: RSL4-MCT5-FR

MODEL NO.	Wattage	Voltage	Lumens	Color Temp.	BUG Rating	LPW
RSL4-MCT5-FR	9W	120V	630LM	2700K	B2-U1-G0	70
				3000K		
				3500K		
				4000K		
				5000K		

Sample Ordering

Model Color Temp. Fire Rated

RSL4 - MCT5 - FR

Accessories:

Blank = No Option For Accessories

RSL-EXT-10FT-MCT = 10 FT. EXTENSION CABLE FOR USE WITH ALL SLIM LIGHT

RSL4-RI-13 = 4" ROUND ROUGH-IN PLATE, 13" LONG

RSL4-RI = 4" ROUND ROUGH-IN PLATE, 26" LONG

RSL-346-RIBH = 3", 4", 6" (ADJUSTABLE) ROUND GALVANIZED PLATE WITH BAR HANGERS

RSL4-GR = GOOF RING FOR 4IN LIGHTS WITH BUTTERFLY WINGS

RSL4-TRM-BK = 4" Black Clip-on Trim

RSL4-TRM-ORB = 4" Oil-rubbed Bronze Clip-on Trim

RSL4-TRM-CU = 4" Copper Clip-on Trim

RSL4-TRM-BZ = 4" Bronze Clip-on Trim

RSL4-TRM-BN = 4" Brushed Nickel Clip-on Trim

RSL4-TRM-CH = 4" Chrome Clip-on Trim

Factory-Installed Option:

Blank = No Option For Accessories

OPT-EM-DL1EXT = EXTERNAL BATTERY BACKUP

ACCESSORIES:



RSL-346-RIBH

3", 4", 6" (Adjustable) Round Galvanized plate with Bar Hangers



RSL4-RI-13

4" Round Rough-in Plate, 10 Ft. Extension Cable For use with all Slim Light

RSL-EXT-10FT-MCT



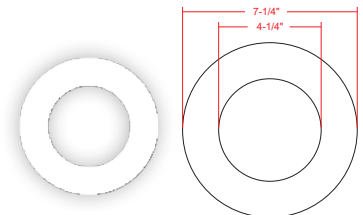
Clip-on Trims

BK ORB CU BZ BN CH



RSL4-RI

4" Round Rough-in Plate, 26" Long



RSL4-GR

Goof Ring For 4in Lights With Butterfly Wings

FACTORY-INSTALLED OPTION:



OPT-EM-DL1EXT
EXTERNAL BATTERY BACKUP



Compatible Dimmer List:

MODEL NO.	BRAND
6631-1LT	LEVITON
MACL-153MLH-AL	LUTRON
TGCL-153PH-LA	LUTRON
DVW-603PGH-WH	LUTRON
CT-600PR-WH	LUTRON
LGCL-153PHL-IV	LUTRON
TGCL-153PH-LA	LUTRON
LSLV603PWV	LUTRON
6674-POW	LEVITON
DVCL-153P	LUTRON
MSCL-OP153P	LUTRON
CTCL-153P	LUTRON
MACL-153M	LUTRON
HCL453PTCCCV6	PASS & SEYMOUR
LSLV603PWV	PASS & SEYMOUR

